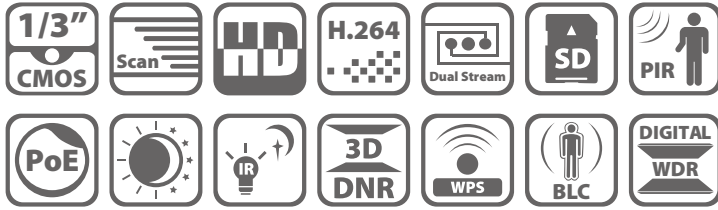


DS-2CD2422F-I(W) (2.0MP)

DS-2CD2432F-I(W) (3.0MP)

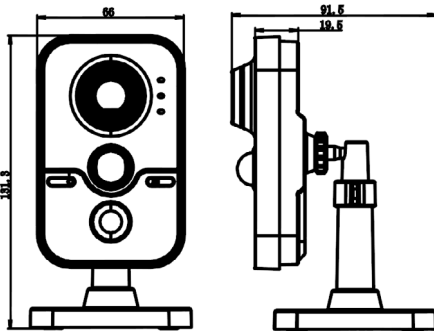
IR Cube Network Camera



Key features

- 2MP / 3MP high resolution
- HD real-time video
- PIR detection
- IR LEDs (up to 10m)
- DWDR & 3D DNR & BLC
- PoE
- SD/SDHC/SDXC card slot (up to 64GB)
- Wi-Fi optional (WPS connection)

Dimensions



Available models

DS-2CD2422F-I, DS-2CD2422F-IW

DS-2CD2432F-I, DS-2CD2432F-IW

* 1.3MP model is also available -- DS-2CD2412F-I(W)

* -W: Wi-Fi

	DS-2CD2422F-I (W)	DS-2CD2432F-I (W)
Camera		
Image sensor	1/3" progressive scan CMOS	
Min. illumination	0.01 lux @F1.2, AGC ON, 0 lux with IR	0.07 lux @F1.2, AGC ON, 0 lux with IR
Shutter time	1/3s ~ 1/100,100s	
Lens	4mm@ F2.0 (2.8mm, 6mm optional) Angle of view: 98.5°(4mm), 79°(4mm), 49°(6mm)	4mm@ F2.0 (2.8mm, 6mm optional) 2048 × 1536: Angle of view: 86°(4mm), 70°(4mm), 43.3°(6mm) 1920 × 1080: Angle of view: 98.5°(4mm), 79°(4mm), 49°(6mm)
Lens mount	M12	
Day & night	ICR	
Digital noise reduction	3D DNR	
Wide dynamic range	Digital WDR	
Backlight compensation	Yes, zone configurable	
Compression Standard		
Video compression	H.264 / MJPEG	
H.264 codec profile	Main profile	
Bit rate	32 Kbps ~ 16 Mbps	
Audio compression	G.711 / G.726	
Audio bit rate	64 Kbps (G.711) / 16 Kbps (G.726)	
Image		
Max. Image Resolution	1920 × 1080	2048 × 1536
Frame rate	50Hz: 25fps (1920 × 1080), 25fps (1280 × 720) 60Hz: 30fps (1920 × 1080), 30fps (1280 × 720)	50Hz: 20fps (2048 × 1536), 25fps (1920 × 1080), 25fps (1280 × 720) 60Hz: 20fps (2048 × 1536), 30fps (1920 × 1080), 30fps (1280 × 720)
Image settings	Saturation, brightness, sharpness, contrast, sharpness adjustable through client software or web browser	
Network		
Network storage	NAS	
Alarm trigger	PIR detection, motion detection, line crossing detection, tampering alarm, network disconnect, IP address conflict, storage exception, storage error	
Protocols	TCP/IP, ICMP, HTTP, HTTPS, FTP, DHCP, DNS, DDNS, RTP, RTSP, RTCP, PPPoE, NTP, UPnP, SMTP, SNMP, IGMP, 802.1X, QoS, IPv6, Bonjour	
System compatibility	ONVIF, PSIA, CGI	
General functionalities	Flickerless, dual stream, heartbeat, mirror, user authentication, video mask, watermark	
Interface		
Communication interface	1 RJ45 10 M / 100 M Ethernet interface	
Onboard storage	Up to 64GB SD/SDHC/SDXC card slot	
Alarm I/O	1/1	
Wi-Fi parameters (only for -W model)		
Wi-Fi standard	IEEE802.11b/g/n	
Frequency range	2.4 GHz ~ 2.4835 GHz	
Communication bandwidth	Support 20/40 MHz	
Security	64/128-bit WEP, WPA/WPA2, WPA-PSK/WPA2-PSK, WPS	
Transmission rate	11b: 11Mbps, 11g: 54Mbps, 11n: 150Mbps	
Transmission range	Outdoor: 200m, Indoor: 50m (The performance varies based on actual environment.)	
General		
Operating conditions	-30 °C ~ 60 °C (-22°F ~ 140 °F) humidity 95% or less (non-condensing)	
Power supply	12 VDC ± 10% , PoE (802.3af)	
Power consumption	Max. 5W	
PIR	Up to 10m, max. detection angle: 80°	
IR range	Max. 10m	
Dimension	66×91.5×131.3(2.60"×3.60"×5.17")	
Weight	400g	